

QFC-LP Cleaning Laser: Technical - Safety Datasheet

QFC-50 □ QFC-100

Optical Characteristics

□	Characteristic	Min	Typ	Max	Unit
1	Operation mode	Pulsed			
2	Polarization	Random			
3	Nominal av. Power				
	• QFC-50	47	50	53	W
	• QFC-100	95	100	105	W
4	Central emission wavelength	1055	1064	1075	nm
5	Pulse duration (depending on fibre length)	80	100	180	ns
6	Nominal pulse frequency				
	• QFC-50	2	50	200	kHz
	• QFC-100	5	100	500	kHz
7	Max. pulse energy (depending on fibre length)	1			mJ
8	Red guide laser	0.2	0.5	1	mW

General Characteristics

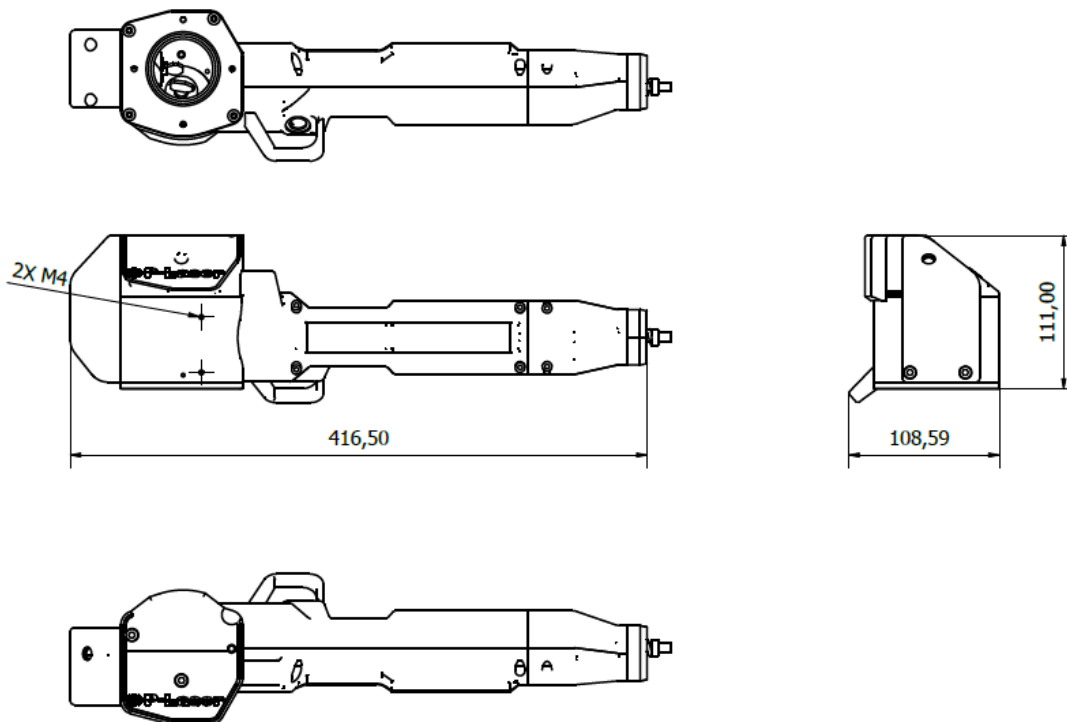
□	Characteristic	Specification	Unit
1	Environment	Non-condensed including laser internal parts	
2	Operating temperature range (dependant on humidity)	0 - +42 (non-condensing)	°C
3	Storage temperature	-10 - +60	°C
4	Humidity (non-condensing, according to IEC Standard 60721 class C1)	10 - 95	%
5	Extra air cooling (air must be dry and no oil)	Possible	

Optic Characteristics

□	Characteristic	Manual Optic	Unit
1	Name	PX-2D LP	
2	Weight	2.5	kg
3	Fibre length	3 - 4.7	m
4	Fibre weight	2 (at 4.7m)	kg
5	Focal lengths (normal lens)	250 300 400 500	mm
6	Focal lengths (F-Thèta)	254 330 420	mm

Optic Drawing

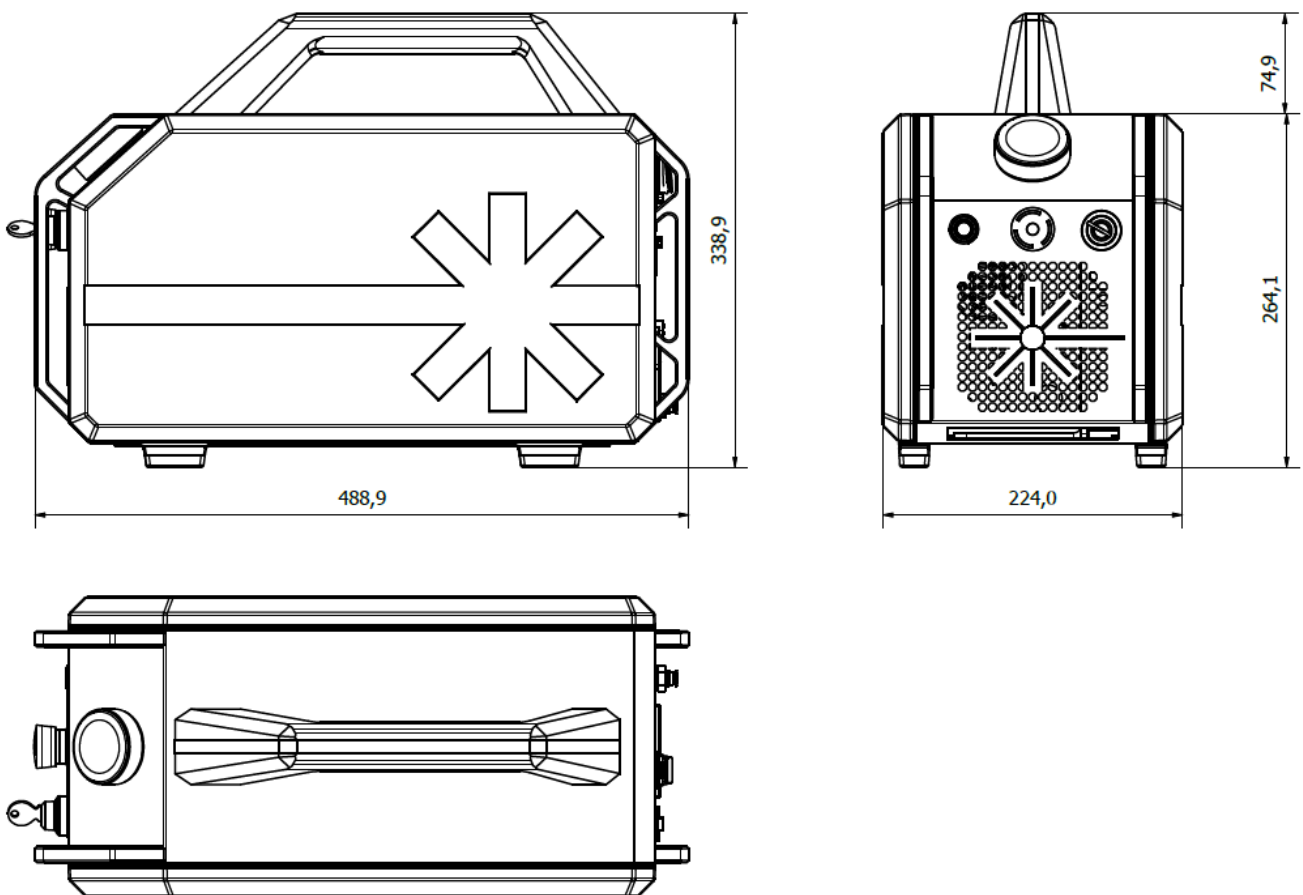
Manual Optic PX-2D LP



System Characteristics

□	Characteristic	QF-Compact	Unit
1	Dimensions (WxDxH)	225x490x340 (WxDxH)	mm
2	Weight <ul style="list-style-type: none"> • QFC-50 • QFC-100 	14 16	kg kg
3	Power supply voltage	110 - 230 (50/60Hz)	V
4	Power consumption <ul style="list-style-type: none"> • QFC-50 • QFC-100 	300 400	W W
5	Cooling	Air cooled	
6	Laser class	4	

System Drawing



Connectivity

□	Characteristic	Specification
1	PC and tablet controlled: Cleansweep V3	Standard
2	Connector input control for robot I/O or foot pedal or other external switch	Standard
3	Round touch control wheel	Standard
4	Max 8 jobs on demand on screen interface	Standard
5	Remote control/cloud logging	No
6	CE certification	Yes
7	FDA	Yes
8	CSA	Optional, on demand (single product certification)

Remarks

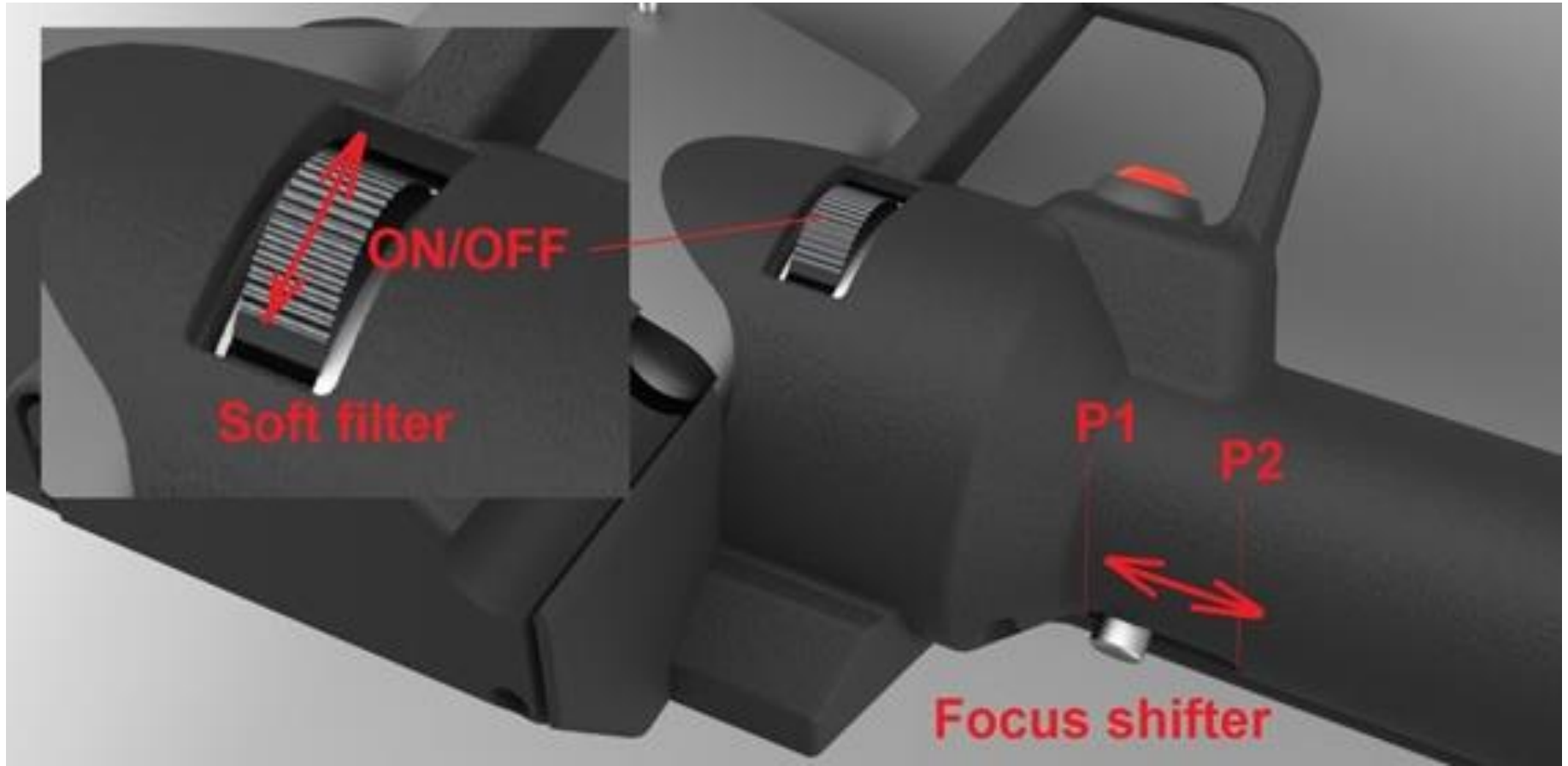
- Laser source is maintenance-free.
- Attention has to be paid when removing liquids, oil or sticky contaminants from a surface.
- There is no warranty on focal lenses and fibres.
- Check manual for maintenance procedures.
- High reflection surfaces like copper, gold, chrome must be avoided (see manual)
- Cooling systems are included with machinery. (closed circuit)
- Extra optional external cooling is needed for hot and humid areas (on request). See IEC-norm 60721 Class C1 for more information.
- QF-Compact can be transported in special case, dimensions: 520x750x360mm (WxDxH).

CONFIDENTIAL:

This document and any data disclosed therein is the property of P-Laser and its affiliates, and constitute and contain proprietary information. Neither receipt nor possession of this document confers or transfers any rights to duplicate, use or disclose any information contained herein excepts as expressly authorized in writing by P-Laser.

Option | «Soft Filter»

Pos. 2



Option | Laserschutzwand mobil

Pos. 4 - 5 | Erhältlich in den Farben rot, blau und gelb



- 4 fest verbundene Einheiten à 180 x 180 cm
- Einheiten können identisch bedruckt werden
- mit | ohne Reflektionsstreifen