

Dimensional drawing

Basic equipment

User area and max. paper web width



User area

* max. paper web width

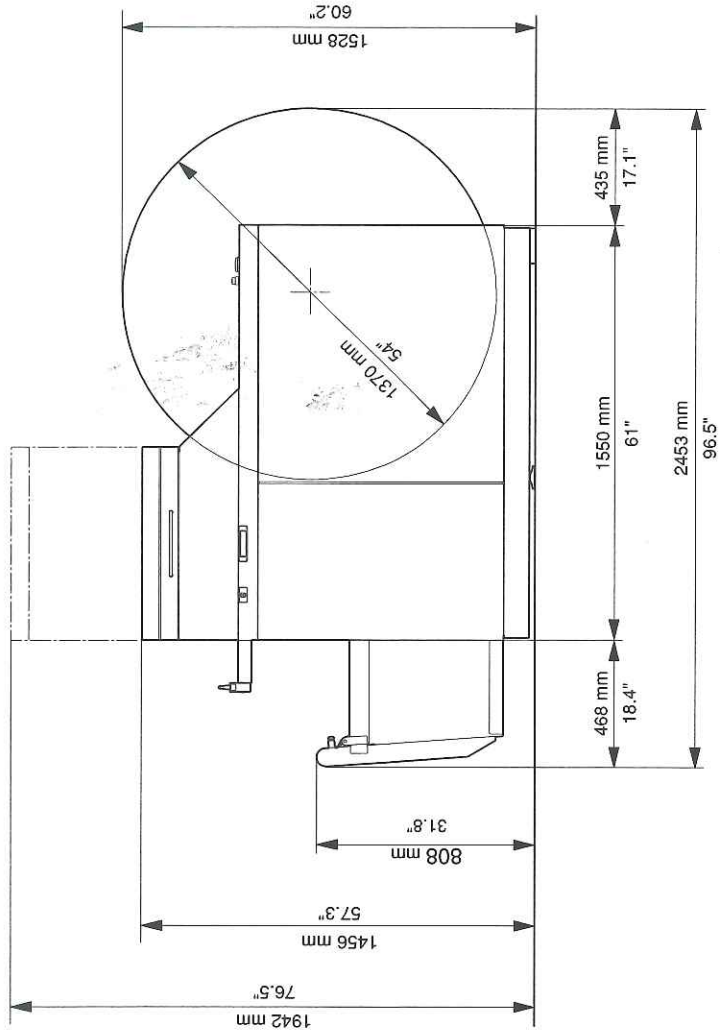
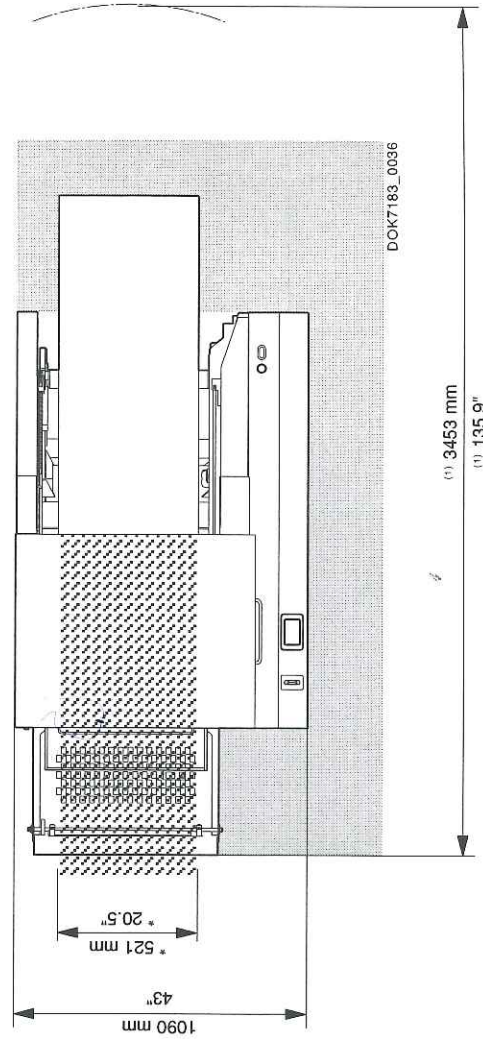


Fig. 8-1



(1) with roll feed