

Bank: UBS AG, CH-3001 Bern
 Account: 697465.01T
 SWIFT: UBSWCHZH30A
 Clearing-no. (BLZ): 235

Braudgerd Kristj'ans

Hrisalundi 3
 IS-600 Akureyri
 ICELAND

Order confirmation: 407873
Customer-no.: 102476
Your order no.:
Delivery week: 49/2000

Burgdorf, 28.08.2000 HM

Item no.	Description	Quant.	Price	Total
<i>Rondoline according to drawing 128663</i>				
PFB601.A	Make-up production line Rondoline 11.295 m, table with 3-ply conveyor 400V 50Hz 3Ph	1		
XO-10007	Smooth conveyor belt	1		
ZKWW607.A	Gauging unit mobile, compound, long infeed conveyor	1		
ZMS630W.D1	Flour duster including supports	1		
ZTBP600.A	Dough band positioner electrical incl. supports	1		
ZMB601	Flour brush	1		
ZSS600.A	Twin cutting station with safety guard and back- up rollers	1		
ZTA.A	Excess dough brush (1 piece)	2		
35151	Scrap collecting containers for scrap deflector or excess dough brushes	1		
ZSBS6004.A	Spraying device for water, 4- rows, with 4 wetting device width 50mm	1		
35756	Level control for water to ZSBS	1		
ZFGP6.B	Pneumatic piston filling depositer, compound, mobile 6-rows	1		

Item no.	Description	Quant.	Price	Total
107255	Nozzle short for depositor ZFGP	18		
ZGP665.C	Pneumatic guillotine stroke 65 mm with length measuring control incl. 1 knife	1		
123918V1	Side table for trays to Rondoline	2		
34974	START-STOP button for working table	1		
<u>Osterschlauffer</u>				
79617V5	Length cutting roller with 6 discs d=150 mm	1		
121322V1	Bracket for rack	1		
ZBG6001.A	Spreading unit whole width	1		
ZFV6T2.A	Folding device Torpedo 2-rows, for soft dough width dough strips 100 - 220 mm	1		
ZFV6T2.A	Folding device Torpedo 2-rows, for soft dough width dough strips 100 - 220 mm	1		
ZZS630W.B1	Sugar duster including supports	1		
XO-10127	Center unit, 2-rows, for coarse ingredients- or sugar depositor	1		
ZAR600.A	Set of pressure rollers	1		
<u>Pizzabread</u>				
79617V5	Length cutting roller with 6 discs d=150 mm	1		
34934	Safety guard for cutting station ZSS600.B mounted in our factory	1		
ZSS600.B	Cutting device, mounted under the guard of the guillotine ZGP	1		
STANZ.2	Stamping die, 2-rows, form ..	1		

Order confirmation: 407873-A

Item no.	Description	Quant.	Price	Total
<u>Snudar</u>				
35214	Shaft for cutting roller complete	1		
95462	Length cutting disc d=150 mm	2		
ZTE600R.A	Roll winder without winding aid, mounted on RIGHT hand side	1		
XO-10070	Speed regulation for roll winder ZTE	1		
SZZS630W.B1	Hopper for sugar duster	1		
<u>Pizzabottom</u>				
ZSRE.C	Docking roller	1		
WALZE 3-4-5	Round/Oval cutting roller, regular edge d=101-210mm	3		
<u>Laufabraud</u>				
WALZE 1-2	Round/Oval cutting roller, regular edge d=211-450mm	1		
<u>Wienerstanger</u>				
79617V5	Length cutting roller with 6 discs d=150 mm	1		
ZFV6TD1.A	Folding device Torpedo, 2-rows, for soft dough width dough strips 160 - 300 mm	2		

Item no.	Description	Quant.	Price	Total
<u>Spandauer (folded by hand)</u>				
79617V5	Length cutting roller with 6 discs d=150 mm	1		
<u>Kleiner</u>				
35214	Shaft for cutting roller complete	1		
95462	Length cutting disc d=150 mm	6		
040646	Inclined knife for guillotine for cutting dough strips for Flûtes	1		
<u>Sodidbröd</u>				
35214	Shaft for cutting roller complete	1		
95462	Length cutting disc d=150 mm	4		
STANZ.2	Stamping die, 2-rows, form ..	1		
<u>Klippdelangder</u>				
35214	Shaft for cutting roller complete	1		
95462	Length cutting disc d=150 mm	3		
ZSW600.A	Decor cutting unit (scissors) 1-row (not possible on SPF610)	1		

RONDO DOGE

Order confirmation: 407873-A

28.08.2000

Item no.	Description	Quant.	Price	Total
----------	-------------	--------	-------	-------

Pylsabakko

122650T104	Round cutting roller d=120 mm, 4 rows regular edge	1		
123154V1	Synchronisation cutting roller/dep. for RONDOLINE	1		
ZAA600.A	Scrap dough removal device with separate drive and short table	1		
XO-10177	Nozzle with non-return valve for liquid fillings	4		

Krengler

35214	Shaft for cutting roller complete	1		
95462	Length cutting disc d=150 mm	4		
ZFV63D3.A	Folding device double fold, 3-rows, seal on top, with flat pressure rollers	1		
PM.B	Commissioning	1		

28.08.2000

Item no.	Description	Quant.	Price	Total
----------	-------------	--------	-------	-------

Conditions of supply

Prices are to be understood in Swiss Francs, CIP Kristjan Akureyri, packing included - according to Incoterms 2000

Shipment week 49 to Iceland / if down payment is received not later than 11.09.2000

Payment 1/3 - CHF 68'000.00 - down payment with the order
2/3 - CHF 134'000.00 - cash against documents

Erection &

Commissioning Are included in our prices for a period of 5 days, incl. travel time, travel costs. Lodging and board are at customers charge (1 working day = max. 10 hours). Additional working hours will be invoiced at CHF 90.- / hour.

Installation week 03/2001

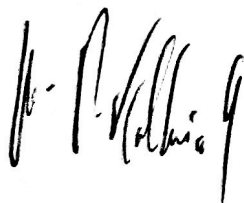
Guarantee 1 year after having transmitted to us the machine number by means of the guarantee-card.
All other conditions of guarantee are according to our "General Conditions of contract for the supply of plant and machinery", which form an integral part of this document.

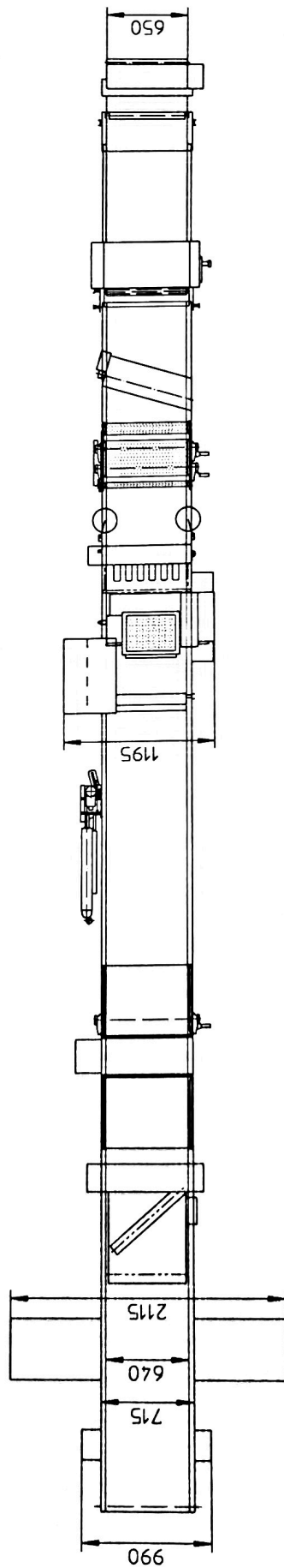
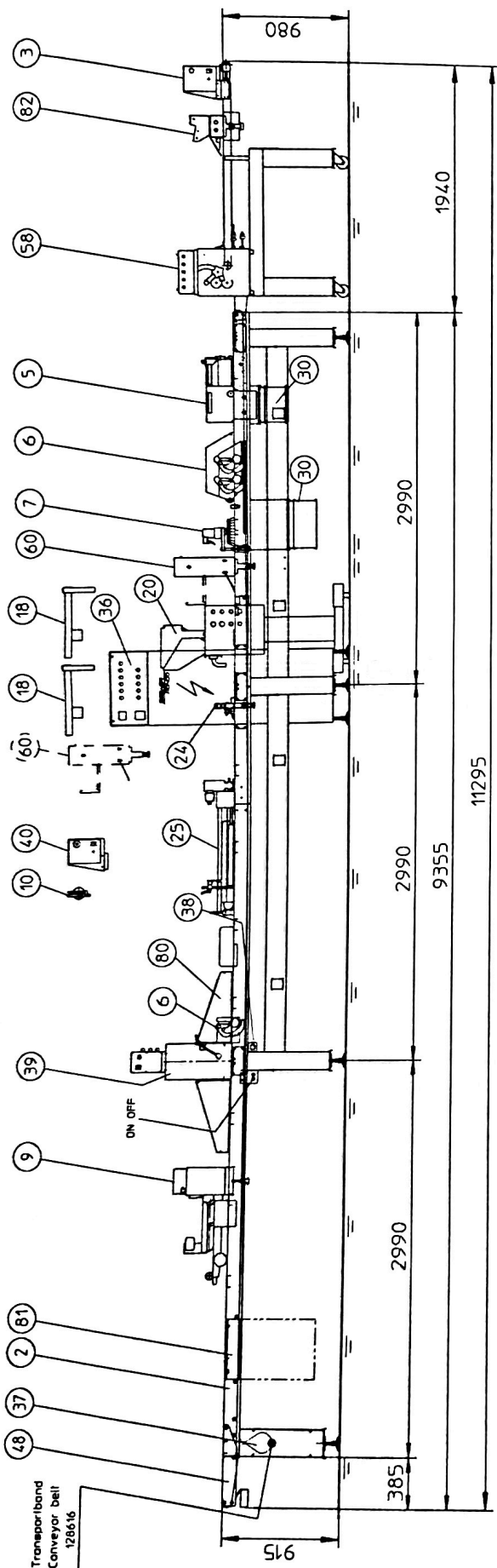
Subject to changes of construction and prices

We thank you for your purchase order and remain

Yours sincerely,

SEEWER AG





- 2. Fertigbearbeitungstisch/Make-up table/Table d'apprêtage
- 3. Mehltreuer/Flour depositor/Saupoudreur à farine
- 5. Mehlbürste/Flour brush/Brosse à farine
- 6. Schneidestelle/Cutting unit/Dispositif de découpe
- 7. Abfallbürste/Excess dough brush/Brosse à déchets
- 9. Abfall-Abföhrband/Scrap removing system/Tapis d'évacuation de déchets
- 10. Andrückrolle/Press-down-roller/Rouleau de pression
- 18. Füllvorrichtung/Folding device/Dispositif de pliage
- 20. Füllgerät/Filling device/Appareil à fourrer
- 24. Aufsreichvorrichtung/Spreading device/Dispositif d'enduisage
- 25. Einroller/Roll winder/Enrouleur
- 30. Auffangbehälter/ Collecting container/Bac de recuperation
- 36. Bedienungstableau/Operating panel/Tableau de comande
- 37. Bandantrieb/Belt drive/Entraînm. du tapis
- 38. Not-aus/Emergency/Arret d'urgence

- 39. Pneumatische Guillotine/Pneumatic guillotine/Guillotine pneumatique
- 40. Zuckersreuer/Sugar depositor/Saupoudreur de sucre
- 48. Bandschnellen/sp.vorr./Inst.dét.rapide p.tapis de transp./fast tension rel.dev.for conv.belt
- 58. Kalibrier-Walzwerk/Gauging unit/Calibreur
- 60. Sprühgerät/Spraying device/Humidificateur
- 80. Schere/Scissors/Cisaille
- 81. Anhängelisch/Side table/Table latéral
- 82. Teigbandpositionierer/Dough band positionner/Positionneur bandes de pâte

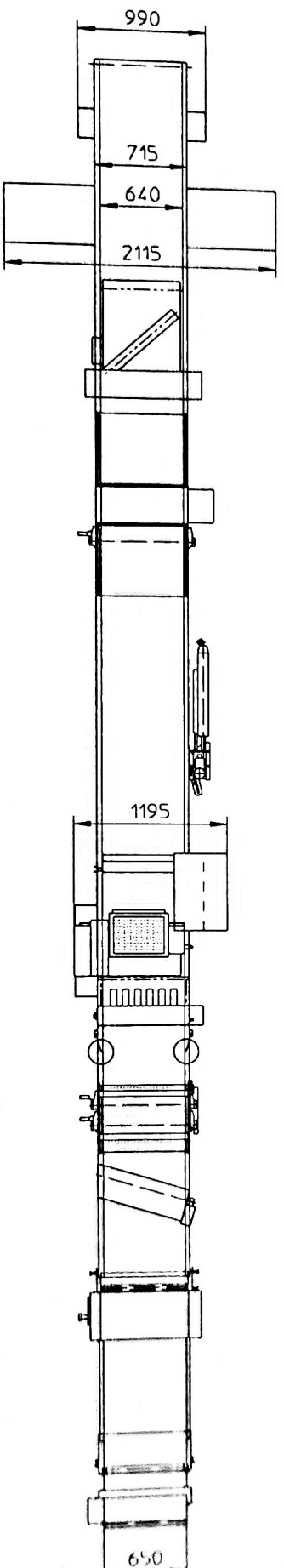
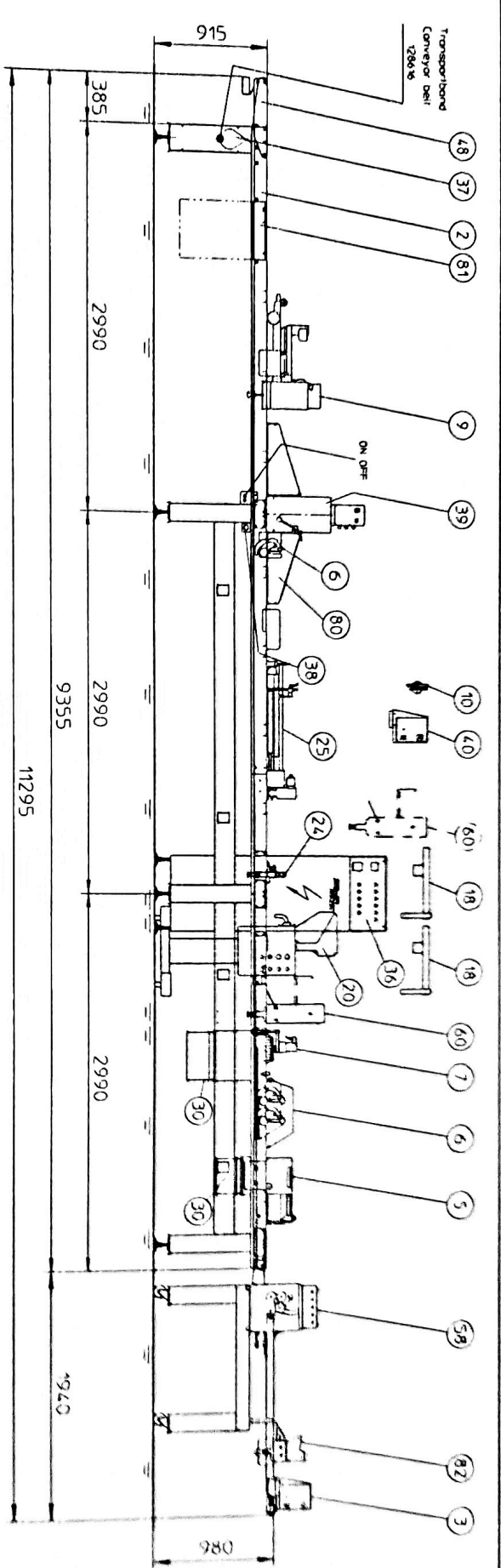
Masse und Konstruktionsänderungen vorbehalten
 Design and dimensions subject to change without notice
 Modifications de mesures et de construction réservées

Modell	1:30	
	Datum	21.08.00
Name		BM
Gez.		
Gep.		
Seewer AG, CH-3401 Burgdorf		128663A

Rondoline

Seewer AG, CH-3401 Burgdorf

RONDO
DOGG



- 2 Fertigbearbeitungstisch/Make-up table/Table d'apprêtage
- 3 Mehlstreuer/Flour depositor/Souppoudreur à farine
- 5 Mehlbürste/Flour brush/Brosse à farine
- 6 Schneidestelle/Cutting unit/Dispositif de découpe
- 7 Abrollbürste/Excess dough brush/Brosse à déchets
- 9 Abfall-Abfuhrband/Scrap removing system/Tapis évacuation de déchets
- 10 Andruckrolle/Press-down-roller/Rouleau de pression
- 18 Falvorrichtung/Folding device/Dispositif de pliage
- 20 Fullgerät/Filling device/Appareil à fourner
- 24. Aufsreichvorrichtung/Spreading device/Dispositif d'endusage
- 25. Enroller/Roll winder/Enrouleur
- 30 Aufgabhälter/ Collecting container/Bac de recuperation
- 36. Bedienungsbleau/Operating panel/Tableau de comande
- 37. Bandantrieb/Belt drive/Entrainm. du tapis
- 38. Not-aus/Emergency/Arret d'urgence
- 39. Pneumatische Guillotine/Pneumatic guillotine/Guillotine pneumatique
- 40. Zuckersstreuer/Sugar depositor/Souppoudreur de sucre
- 48. Bandschnellenisp. vorr./Insidél rapide à tapis de transp./fasi tension rapide for conv belt
- 58. Kalibrier-Walzwerk/Gauging unit/Calibreur
- 60. Sprunggerät/Spraying device/Humidificateur
- 80. Schere/Scissors/Cisaille
- 81. Anhangetisch/Side table/Table lateral
- 82. Teigbandpositionierer/Dough band positioner/Positionneur bandes de pâte

Mass und Konstruktionsänderungen vorbehalten
 Design and dimensions subject to change without notice
 Modifications de masse et de construction réservées

OK.
 22/9/2000
 S. Ganten
 H. B. BURGARDT & CO. AG

Sewer AG, CH-3401 Burgdorf		Rondoline		130	
RONDO		DOND		128663A	
				130	
				128663A	